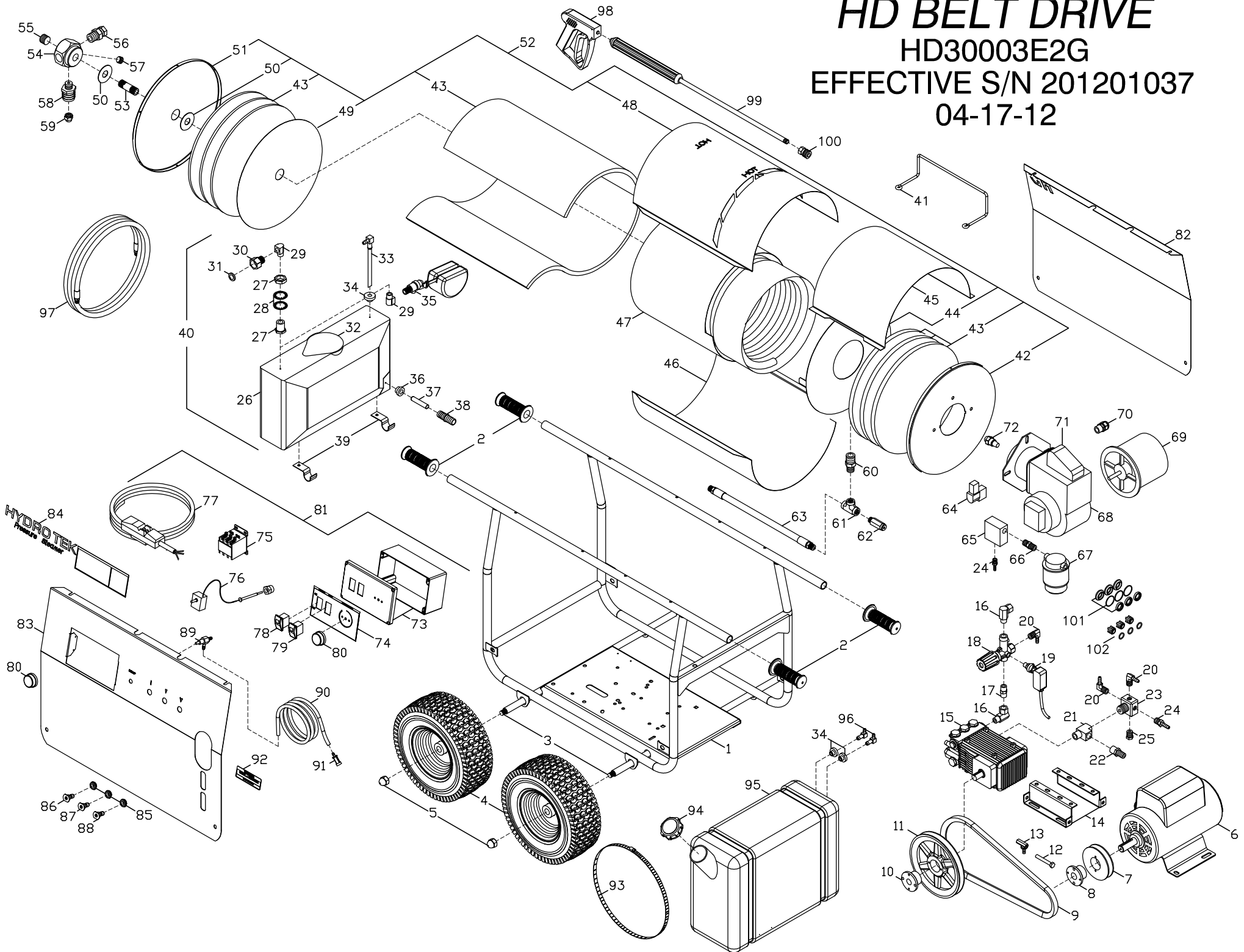


HD BELT DRIVE

HD30003E2G

EFFECTIVE S/N 201201037
04-17-12



HD30003E2G (BELT DRIVE) PARTS LIST

S/N 201201037

17-Apr-12

| | | | | | | | | |
|----|-------|--|----|-------|--|-----|-------|---|
| 1 | HHD00 | HD FRAME STAINLESS | 36 | DFF10 | WATER TANK BUSHING 5/8" | 71 | BMT25 | IGNTN TRANSFORMER-IRON CORE 240V BECKET |
| 2 | HL010 | HAND GRIP 1in MX | 37 | VF050 | STRAINER TUBE FOR FLOAT TANK | 72 | BZ175 | FUEL NOZZLE 1.75 80B |
| 3 | SR625 | ROD, THREADED 5/8 ZINC PLATED | 38 | D1010 | SPLICER 5/8 BRASS | 73 | HHD52 | ELECT BOX HD LASER CUT |
| 4 | HT127 | WHEEL&TIRE TURF 13x5.00-6 3/4 GREY | 39 | HH310 | FLOAT TANK HINGE (SSTEEL) ASM | 74 | GLL82 | LABEL CONTROL HD |
| 5 | FNA09 | NUT ACORN 5/8-11 ACRON STNLS | 40 | WT050 | FLOAT TANK ASM W/VALVE SPECIFY | 75 | ECC21 | CONTACTOR 40AMP 240V 3 POLE DE |
| 6 | ME606 | MOTOR 6.5 HP230 1PH 3450 MT 3 | | | | 76 | ECH50 | THERMOSTAT 60-250 1 GP PART=25 |
| 7 | KT034 | SHEAVE BK34H | 41 | HHP29 | WIRE HOSE HOOK- ZINC PLATED | 77 | EP125 | GFI CORD 240V 30AMP |
| 8 | KSH12 | BUSHING H 3/4 | 42 | B0004 | HG COIL HEAD 4"ID x 14" ASM | 78 | EC421 | ROCKER SWITCH 230V CLEAR |
| 9 | KSB32 | BELT BX32 | 43 | BN053 | INSUL BLKT 50SQ' 1/2 x 24 6# 25' | 79 | EC420 | ROCKER SWITCH 230V RED |
| 10 | KSH19 | BUSHING H x 24MM | 44 | BN105 | DISC RETAINER 12.25"OD W/4.375" HOLE | 80 | ECH70 | KNOB; BLUE .25 x 1.50OD |
| | | | 45 | HHD05 | HD/SM BURNER RAIN GUARD | | | |
| 11 | KT080 | SHEAVE BK80H | 46 | B0104 | COIL WRAP BOTTOM 14" HG/HD | 81 | EHD62 | HD PUMP BOX ASSM 6HP 230V 1PH |
| 12 | FB641 | BOLT 3/8" x 2.50" PLD ALLTHREAD | 47 | BC224 | COIL REPLACEMENT-HD,HG,SM,CPL,HJ SERIES | 82 | HHD31 | HD REAR PANEL |
| 13 | HPR60 | PUMP RAIL BOLT | 48 | B0103 | COIL WRAP TOP DUAL PASS H | 83 | HHD30 | HD CONTROL PANEL |
| 14 | HPR10 | PUMP ANGLE RAIL AR 4000 10GA | 49 | BN127 | DISC RETAINER 13.20" OD W/1.30" HOLE | 84 | GLL75 | LABEL HYDRO TEK 34 x 3.00 |
| 15 | PG350 | PUMP 3.5 @2500 24MM SHAFT | 50 | FW225 | WASHER 2.25in OD 16GA STAINLESS STEEL | 85 | HLB09 | NOZZEL GROMET HOLDER |
| 16 | DE866 | SWIVEL 3/8"F x 3/8"M 90 | | | | 86 | NQ352 | NOZZLE/QDC 035 x 15 |
| 17 | DB506 | NIPPLE 3/8" STEEL | 51 | B0003 | HG COIL CAP 1 3/8" x 14.00" | 87 | NQ354 | NOZZLE/QDC 035 x 40 |
| 18 | UU260 | UNLOADER, ST261 NO SWITCH | 52 | BC221 | COIL ASM 1PK SCH 80 HG SERIES | 88 | NQ303 | NOZZLE/QDC 03 x 25 |
| 19 | VS030 | PRESSURE SWITCH 4000 PA/PR16 | 53 | BC830 | BURNER NIPPLE 1/2" x 3.00" SCH 80 BLK PIPE | 89 | VVC10 | CHEMICAL MET VALVE MV-100 MOD |
| 20 | D8040 | HOSE BARB 1/4" 90 ELBOW | 54 | HHA01 | HEX MANI OUTLET 1/2 x 1/2 x REEL | 90 | DHB04 | TUBING; CLEAR BRAIDED 1/4 |
| | | | 55 | D1082 | PLUG 1/2", STEEL HEX HEAD FLUSH | | | |
| 21 | D6588 | STREET TEE 1/2" BRASS | 56 | DE568 | SWIVEL 23/8"F x 1/2"M STEEL | 91 | VF045 | STRAINER CHEMICAL w/CHECK |
| 22 | D8072 | HOSE BARB 5/8H x 1/2M .281id BLUE | 57 | D1061 | PLUG 3/8 STEEL HEX HEAD FLUSH | 92 | GLL20 | LABEL DIESEL FUEL ONLY |
| 23 | HHA05 | MINI MAN IFOLD-BRASS | 58 | UPB05 | ADAPTER FITTING-BURST DISC | 93 | FC074 | WORM GEAR CLAMP 2 1/2 x 13 1/4 |
| 24 | D8044 | BARB, HOSE 1/4" BRASS | 59 | UPB80 | BURST DISC 8000 PSI TORQUE 32-4 | 94 | WT080 | FUEL CAP, DIESEL |
| 25 | D1040 | PLUG 1/4" BRASS | 60 | DB507 | NIPPLE 3/8" x 1/2" STEEL | 95 | WT075 | FUEL TANK 7.5 DIESEL CLEAR |
| 26 | WT040 | TANK, FLOAT 4 GAL HD LINEAR (NO HOLES) | | | | 96 | DFE04 | FUEL TANK ELL 1/4 |
| 27 | D7520 | PANEL FITTING 3/4" BRASS | 61 | DE066 | TEE 3/8" STEEL | 97 | DH050 | HOSE 3/8" x 50' 3000 PSI |
| 28 | FW701 | WASHER FLOAT TANK 1.75 OD 14 GA | 62 | UP137 | PRESSURE RELIEF 3700 psi BLACK | 98 | VG200 | TRIGGER,GUN INSULATED 4000 PSI |
| 29 | D5566 | STREET ELL 3/8" BRASS | 63 | DH002 | HOSE 3/8" x 14" 5000PSI | 99 | VW036 | WAND 1/4" x 36" MOLDED GRIP |
| 30 | D006M | GARDEN HA 3/8" NPT MALE | 64 | BPV20 | FUEL VALVE 220V | 100 | DQ04S | COUPLER 1/4" SOCK FEM |
| | | | 65 | BPA10 | FUEL PUMP MOD A2V-7116 | | | |
| 31 | D0021 | SCREEN WASHER GARDEN HA | 66 | D2044 | NIPPLE 1/4 BRASS | 101 | K161 | PACKING KIT; 18MM |
| 32 | HH400 | FLOAT TANK COVER; HINGED | 67 | BF020 | FUEL FILTER RAYCOR HYDRO TEK | 102 | K167 | PACKING ASSEMBLY; 18MM |
| 33 | DF599 | FUEL TANK ADAPTER W/PLASTIC TUBE | 68 | BU602 | BURNER , BECKET SM 230V | | | |
| 34 | DFF04 | FUEL TANK BUSHING 1/4 | 69 | BM562 | BURNER MOTOR 220V BECKET | | | |
| 35 | VVF08 | FLOAT VALVE 3/8" BRASS | 70 | EWC08 | STRAIN RELIEF 1/2" HEYCO (3/8) | | | |